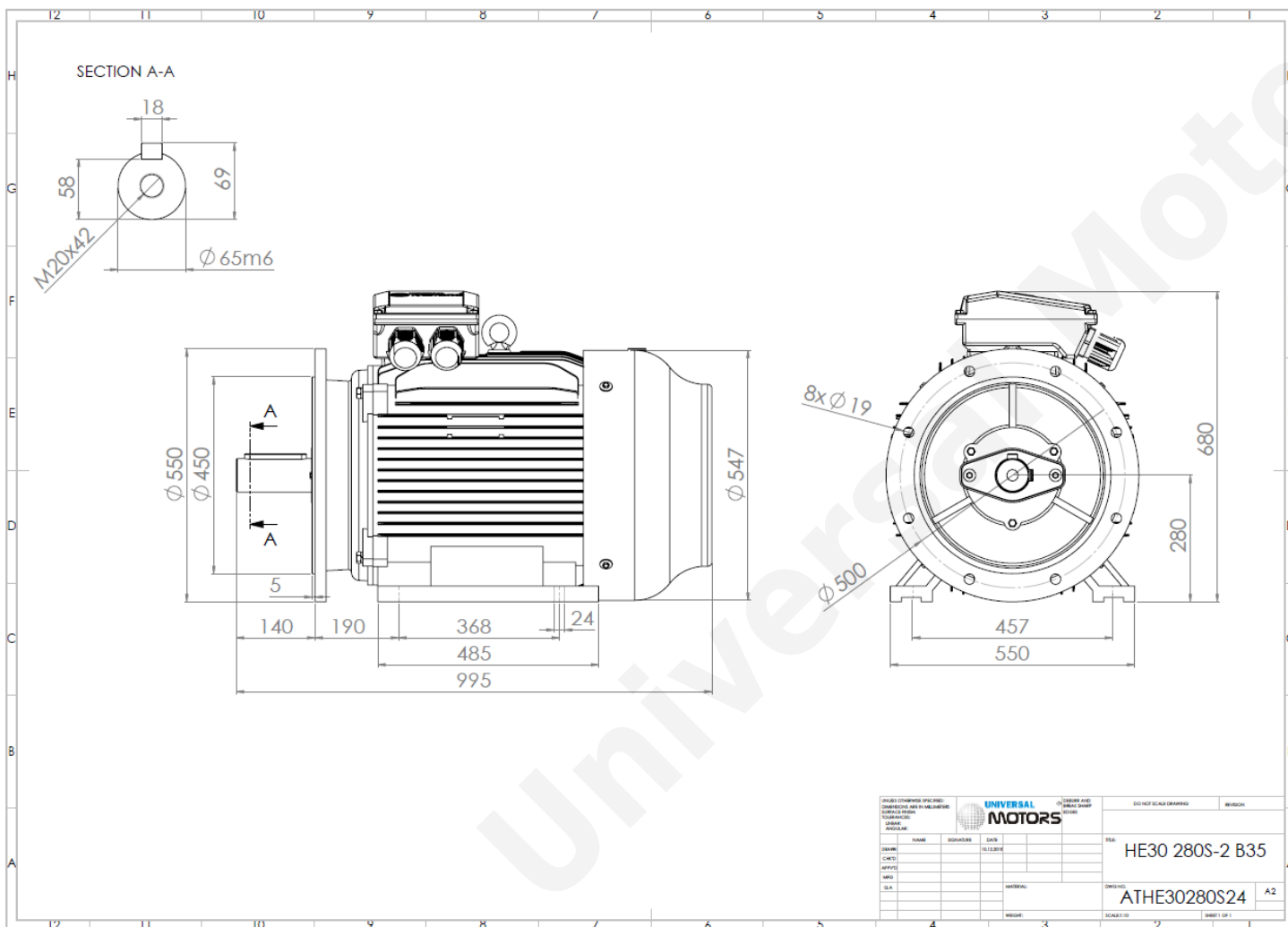


# TECHNICAL DATA

Three Phase Electric Motors - Cast Iron Frame  
 HE30 280 S-2 IE2  
 75 kW / 100 Cv  
 2975 RPM



Motor type:	HE30 280 S-2 IE2
Output:	75 kW / 100 Cv
Speed ( $\text{min}^{-1}$ ):	2975 RPM
Frequency:	50 Hz
Voltage:	400 V
Current:	130 A
Power factor ( $\text{Cos } \phi$ ):	0.89
Poles:	2
Insulation class:	F
Temperature rise Class:	B
Efficiency 50%:	93.1 %
Efficiency 75%:	94.3 %
Efficiency 100%:	93.8 %
Torque:	241 N.m
Tstarting/Tnominal:	2.0
Istarting/Inominal:	6.9
Tmaximum/Tnominal:	2.3
Noise:	80 Db(A)
Weight:	520 Kg
Bearing DE:	6314 C3
Bearing NDE:	6314 C3

Regime - S1

Altitude - 1000m

Environment Temperature - 40°C

## CONTACTS:

UNIVERSAL MOTORS Tel: +351 252 299 080  
 Rua de São Brás,745 Fax: +351 252 299 089  
 4480-782 VILA DO CONDE Mail: [geral@universalmotors.pt](mailto:geral@universalmotors.pt)

\* References applied only in the UK